

STAINLESS STEEL NIPPLES

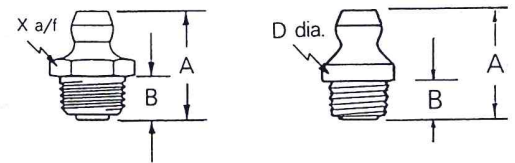
STRAIGHT

Product Code	Thread Type	Thread/Diameter	A mm	B mm	D Diameter	A/F
808014	BSP	1/8 x 28	15.2	5.8	-	7/16
808103	BSP	1/4 x 19	20.3	8.4	-	9/16
808025	UNF	1/4 x 28	13.7	5.1	-	5/16
808082	NPT	1/8 x 27	15.8	6.4	-	7/16
808126	NPT	1/4 x 18	20.8	8.9	-	9/16
808036	Metric	M6 x 1	13.7	4.8	-	7mm
808058	Metric	M8 x 1	15.0	5.8	-	9mm
808071	Metric	M10 x 1	15.2	5.8	-	11mm
808028	Drive Fit	3/16	12.7	5.3	8	-
808043	Drive Fit	1/4	12.7	5.3	8	-



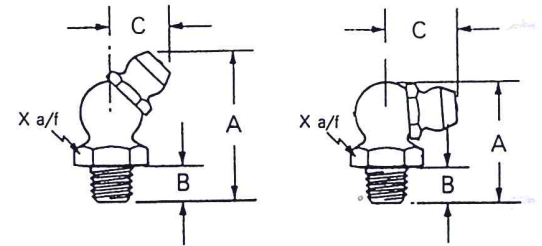
45° ANGLE

Product Code	Thread Type	Thread/Diameter	A mm	B mm	C mm	A/F
811445	BSP	1/8 x 28	20.6	5.6	10.4	7/16
812545	UNF	1/4 x 28	22.4	5.1	9.4	3/8
818245	NPT	1/8 x 27	25.2	6.9	10.2	7/16
813645	Metric	M6 x 1	22.6	5.6	8.9	9mm
815845	Metric	M8 x 1	22.4	5.6	8.9	9mm
817145	Metric	M10 x 1	23.1	5.6	10.4	11mm



90° ANGLE

Product Code	Thread Type	Thread/Diameter	A mm	B mm	C mm	A/F
811490	BSP	1/8 x 28	19.0	5.6	12.2	7/16
812590	UNF	1/4 x 28	17.5	5.1	11.2	3/8
818290	NPT	1/8 x 27	20.8	6.9	11.9	7/16
813690	Metric	M6 x 1	18.0	5.6	11.2	9mm
815890	Metric	M8 x 1	17.8	5.6	10.7	9mm
817190	Metric	M10 x 1	19.0	5.6	12.1	11mm



BUTTON HEAD

Product Code	Thread Type	Thread/Diameter	A mm	B mm	A/F mm
TIB-2-BP-SS	BSP	1/8 x 28	16	6	15
TIB-4-BP-SS	BSP	1/4 x 19	16	6	15

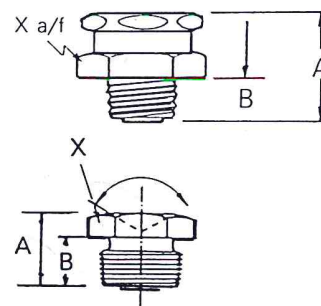
Material: Body 1.4305 Spring 1.4034. Ball 1.4310



STEEL GREASE NIPPLES

CONCAVE

Product Code	Thread Type	Thread/Diameter	A mm	B mm	A/F mm
D1-2-BP	BSP	1/8 x 28	9.5	6.5	11
D1-4-BP	BSP	1/4 x 19	14.0	9.5	14
D1-6-2-M	Metric	M6 x 1.0	8.5	5.5	7
D1-8-2-M	Metric	M8 x 1.0	9.5	6.5	7
D1-8-3-M	Metric	M8 x 1.25	9.5	6.5	9
D1-10-2-M	Metric	M10 x 1.0	9.5	6.5	11
DIA-6-M	Drive Fit	6 mm	7.5	5.5	-
DIA-8-M	Drive Fit	8 mm	9.5	6.5	-



Mild steel case hardened head - Zinc plated - Stress relieved carbon-steel spring.