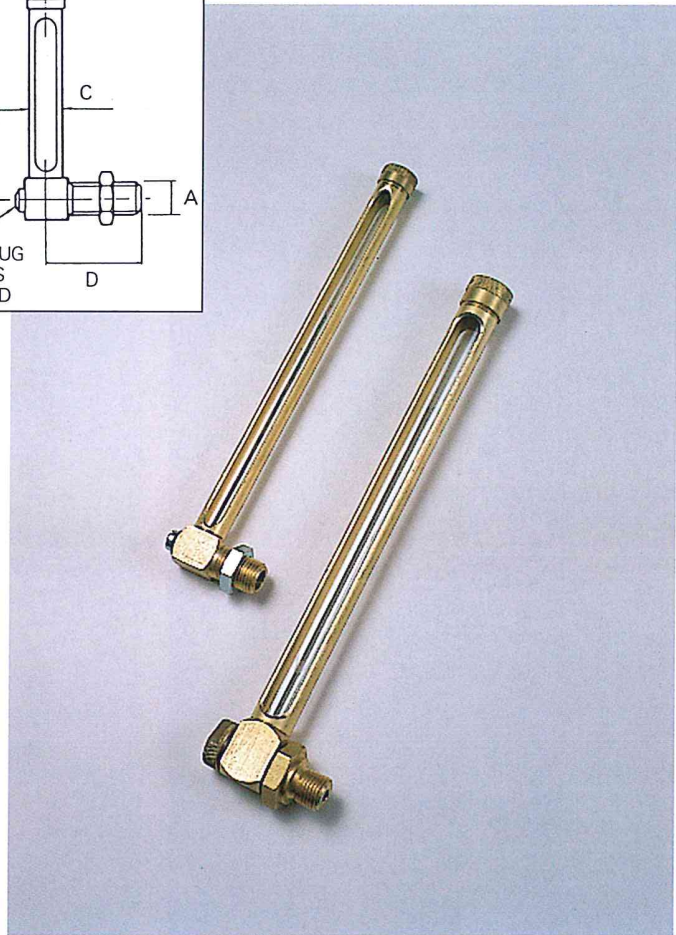
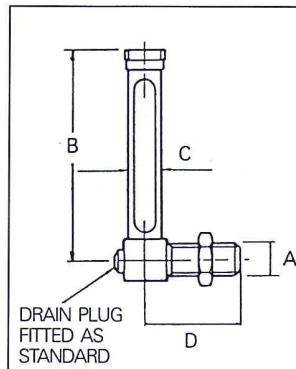


OIL LEVELS

WITH LOCKNUT (DIN 3018)

Material - BRASS, GLASS Finish - NATURAL
Maximum Working Temperature 90° C

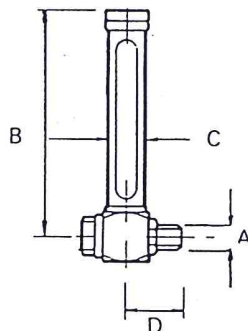
Product Code	A	B mm	C mm	D mm
FGM150	1/8	50	13	27
FGM160	BSP	60	13	27
FGM180		80	13	27
FGM250		50	13	27
FGM260		60	13	27
FGM280		80	13	27
FGM2100	1/4	100	13	27
FGM2125	BSP	125	13	27
FGM2150		150	13	27
FGM2175		175	13	27
FGM2200		200	13	27
FGM2250		250	13	27
FGM2300		300	13	27
FGM350		50	13	34
FGM360		60	13	34
FGM380		80	13	34
FGM3100	3/8	100	13	34
FGM3125	BSP	125	13	34
FGM3150		150	13	34
FGM3175		175	13	34
FGM3200		200	13	34
FGM3250		250	13	34
FGM3300		300	13	34
FGM4100		100	16	38
FGM4125	1/2	125	16	38
FGM4150	BSP	150	16	38
FGM4200		200	16	38
FGM4250		250	16	38



WITH BANJO COUPLING (DIN 3018)

Material - BRASS, GLASS. Finish - NATURAL
Maximum Working Temperature 90° C

Product Code	A	B mm	C mm	D mm
FGB160		60	16	28
FGB180	1/8	80	16	28
FGB1100	BSP	100	16	28
FGB1125		125	16	28
FGB250		50	16	30
FGB260		60	16	30
FGB280		80	16	30
FGB2100	1/4	100	16	30
FGB2125	BSP	125	16	30
FGB2150		150	16	30
FGB2175		175	16	30
FGB2200		200	16	30
FGB2250		250	16	30
FGB2300		300	16	30



3/8 BSP, 1/2 BSP and NPT sizes available on request

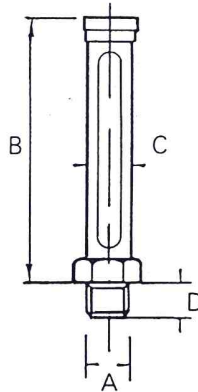
OIL LEVELS

VERTICAL (DIN 3018)

Material - BRASS, GLASS. Finish - NATURAL
Maximum Working Temperature 90°C

Product Code	A	B mm	C mm	D mm
FGV250		50	13	8
FGV260		60	13	8
FGV280		80	13	8
FGV2100		100	13	8
FGV2125	1/4	125	13	8
FGV2150	BSP	150	13	8
FGV2175		175	13	8
FGV2200		200	13	8
FGV2250		250	13	8
FGV2300		300	13	8

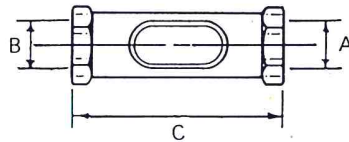
3/8 BSP, 1/2 BSP and NPT sizes available on request



OIL LINE FLOW

Material - BRASS, GLASS, NITRILE. Finish - NATURAL
Maximum Working Pressure 2 bar.
Maximum Working Temperature 80°C

Product Code	A	B	C mm	A/FLATS mm
OL4279	1/8 BSP	1/8 BSP	70	19
OL4280	1/8 NPT	1/8 NPT	70	19
OL4281	1/4 BSP	1/4 BSP	62	21
OL4282	1/4 NPT	1/4 NPT	62	21
OL4283	3/8 BSP	3/8 BSP	76	31.75
OL4284	3/8 NPT	3/8 NPT	76	31.75
OL4285	1/2 BSP	1/2 BSP	70	32
OL4286	1/2 NPT	1/2 NPT	70	32



FLANGED

Material - BRASS, GLASS. Finish - NATURAL
Maximum Working Pressure 1 bar.
Maximum Working Temperature 100°C

Product Code	A mm	B mm	C mm	D mm	E mm	F mm	G mm
CW4032	31.8	57.2	46.8	4.8	9.5	17.5	31.8
CW4033	38.1	65.1	54.8	4.8	9.5	17.5	38.1



DRIVE IN

Material - STEEL, PERSPEX. Finish - ZINC PLATE
Maximum Working Pressure 0.7 bar.
Maximum Working Temperature 70°C with 0.2 bar pressure

Product Code	Hole Diameter	A	B mm	C mm	D mm
DW4064	22.23 - 22.28	22.30 - 22.35	17.5	7.1	0.4
DW4061	31.75 - 31.80	31.83 - 31.88	25.4	8.7	0.4
DW4062	38.10 - 38.15	38.18 - 38.23	31.8	9.5	0.4
DW4063	50.80 - 50.85	50.88 - 50.93	44.5	10.8	0.4

Add suffix 'A' to part No. if reflector is required.

