

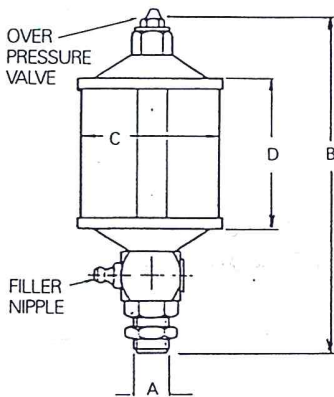
SPRING GREASERS - PLEXIGLASS RESERVOIR

Dimensions

A	=	1/8", 1/4" or 3/8" BSP
B	=	125mm
C	=	50mm
D	=	55mm

Capacity	=	50cc
Material	=	Steel and Brass
	=	Nitrile Rubber Seals
	=	Plexiglass Reservoir

Maximum Working temperature 60°C



FEATURES

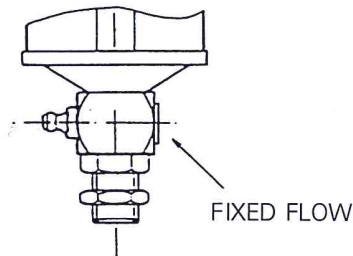
Re-fillable via grease nipple.
Visual level indication

Suitable for use with greases which do not separate under pressure



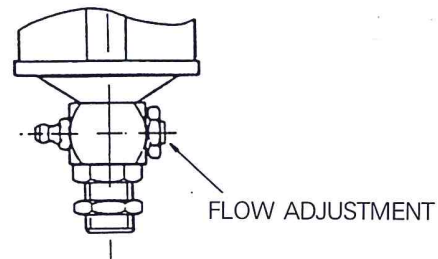
FIXED FLOW RATE

No	Thread	Capacity
SBK 1501	1/8" BSP	50cc
SBK 2501	1/4" BSP	
SBK 3501	3/8" BSP	



ADJUSTABLE FLOW RATE

No	Thread	Capacity
SBK 1502	1/8" BSP	50cc
SBK 2502	1/4" BSP	
SBK 3502	3/8" BSP	



ADJUSTABLE FLOW RATE AND ON/OFF

No	Thread	Capacity
SBK 1503	1/8" BSP	50cc
SBK 2503	1/4" BSP	
SBK 3503	3/8" BSP	

